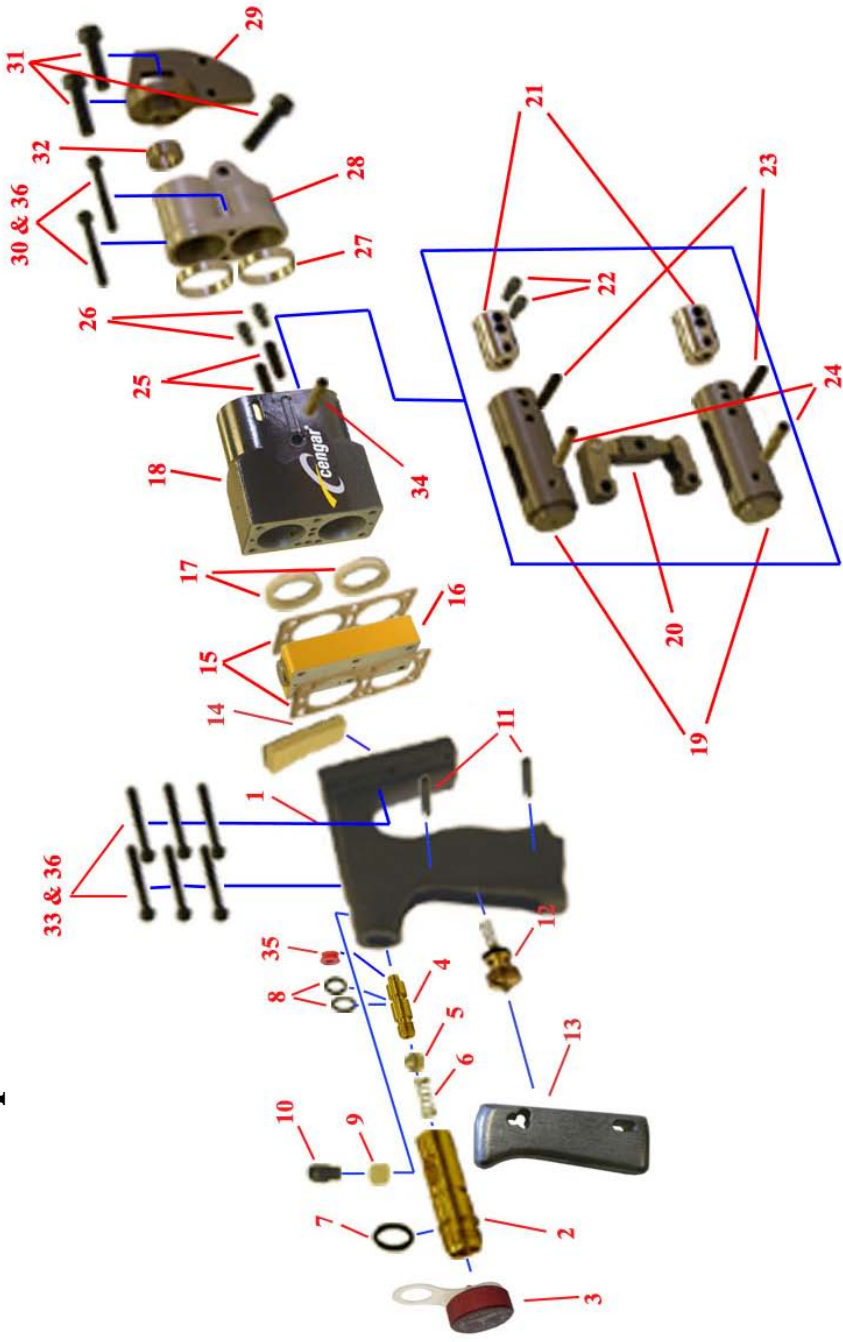
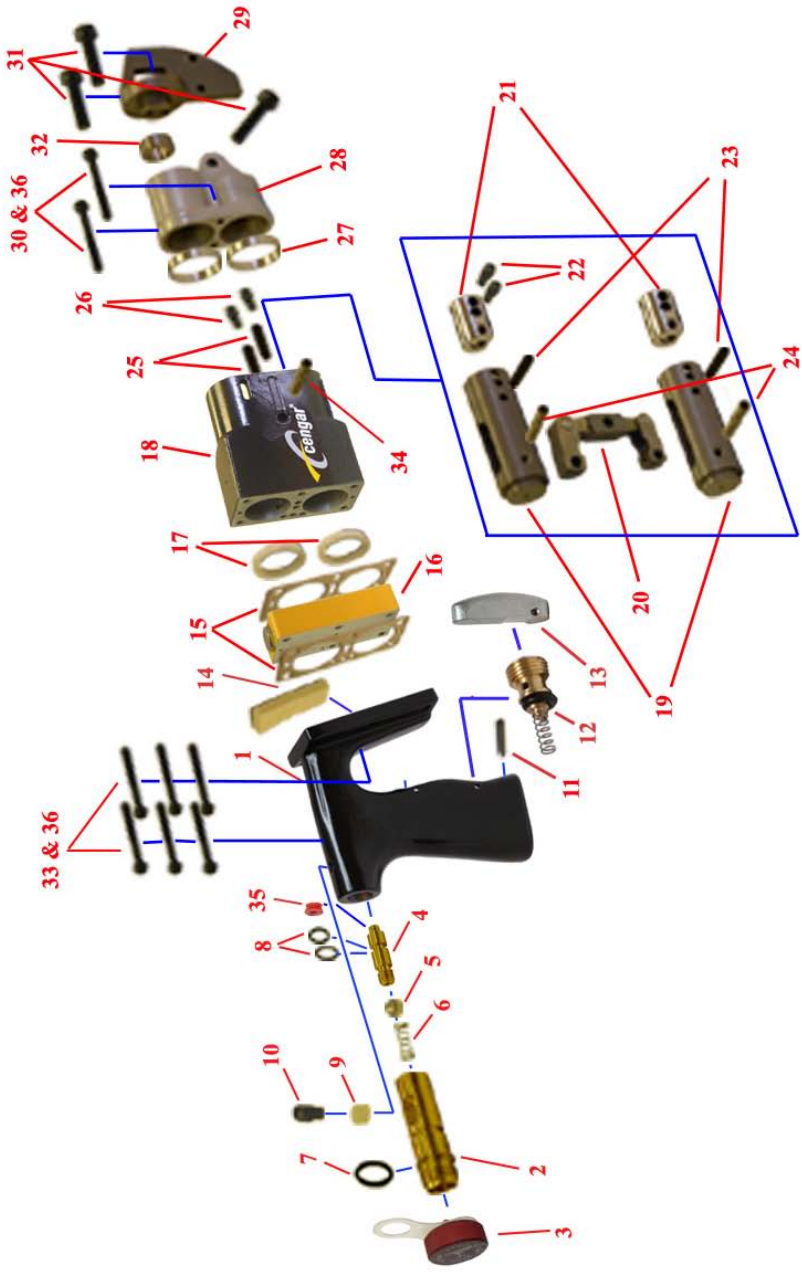


PL905 Exploded View



Item	Part No.	Description	Number Per Tool	Item	Part No.	Description	Number Per tool
1	9550	Handle	1	19	9509P	Piston	2
2	9554	Isolator body	1	20	1150	Link	1
3	9553	Oil Cap & Retainer	1	21	9512	Blade Grip	2
4	9555	Isolator Nozzle	1	22	5068	Blade screw	2
5	9559	Oil Control Ball	1	23	9513	Pin-Blade Grip	2
6	9334A	Spring	1	24	9519	Pin-Link	2
7	9561	'O' Ring Large	2	25	9514	Locking Pin	2
8	9560	'O' Ring Small	2	26	5056	Retaining Screw	2
9	9557	Détente Spring	1	27	9515	Connecting Ring	2
10	9556A	Lock Screw	1	28	9516	Front End	1
2 to 10	9552	Isolator Assembly		29	5045	Nose Piece 1/2"	1
11	51834	Roll Pin-Trigger	2	30	5520	Screw	2
12	50034	Valve in Handle	1	31	54160	Screw	3
13	9502	Trigger	1	32	9517	Guide Bush	1
14	9506	Filter/Gauze	1	33	5540	Screw—Handle	6
15	9538	Gasket	2	34	9511	Pivot Pin	1
16	9507	Valve Unit	1	35	QR5108	Quad Ring	1
17	9510	Piston Ring	2	36	W55	Serrated Washer	8
18	9508	Body	1				

PL905FT Exploded View



Item	Part No.	Description	Number Per Tool	Item	Part No.	Description	Number Per tool
1	9550FT	Handle	1	19	9509P	Piston	2
2	9554	Isolator body	1	20	1150	Link	1
3	9553	Oil Cap & Retainer	1	21	9512	Blade Grip	2
4	9555	Isolator Nozzle	1	22	5068	Blade screw	2
5	9559	Oil Control Ball	1	23	9513	Pin-Blade Grip	2
6	9334A	Spring	1	24	9519	Pin-Link	2
7	9561	'O' Ring Large	2	25	9514	Locking Pin	2
8	9560	'O' Ring Small	2	26	5056	Retaining Screw	2
9	9557	Détente Spring	1	27	9515	Connecting Ring	2
10	9556A	Lock Screw	1	28	9516	Front End	1
2 to 10	9552	Isolator Assembly		29	5045	Nose Piece 1/2"	1
11	51834	Roll Pin- Trigger	1	30	5520	Screw	2
12	50034	Valve in Handle	1	31	54160	Screw	3
13	9502FT	Trigger	1	32	9517	Guide Bush	1
14	9506	Filter/Gauze	1	33	5540	Screw—Handle	6
15	9538	Gasket	2	34	9511	Pivot Pin	1
16	9507	Valve Unit	1	35	QR5108	Quad Ring	1
17	9510	Piston Ring	2	36	W55	Serrated Washer	8
18	9508	Body	1				